

# DWH7016X

www.thermomart.com

Please check your controller label. Depends on your order the power supply (operating voltage) could be either 110V, 220V

## ① Specification and size:

Product size: 75L x 34.5W x 85D (mm)

Mounting size: 71L x 29W (mm)

## ② wiring diagram:

Terminals 1 & 2: Output relay contact switch (normally open)

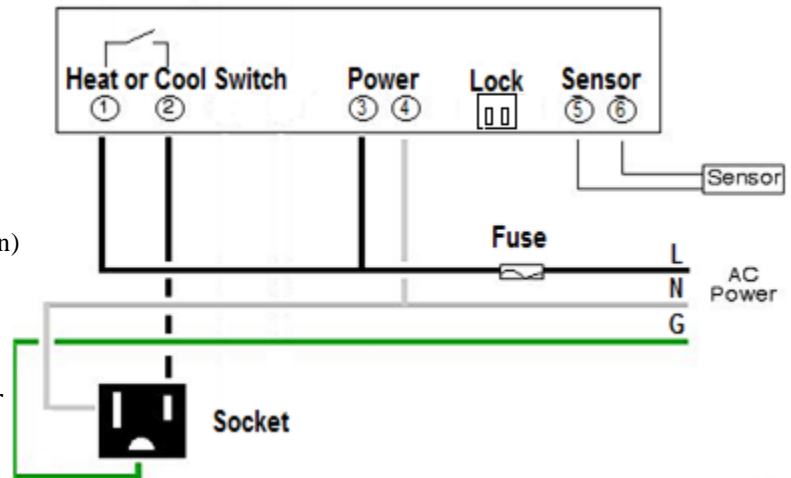
Terminals 3 & 4: Power supply connection

Terminals 5 & 6: Locking the controller parameter setting by making a Short circuit between terminals 5 to 6

Terminals 7 & 8: Temperature sensor connection

Output Switch Power supply Lock controller NTC sensor

1 2 3 4 5 6



## ③ Technical Parameters:

- Temperature measurement range: -50 °C ~ 110 °C

- Temperature measurement error:  $\pm 0.5$  °C

- Control accuracy: 1 °C

- Maximum power consumption: 2W

- Resolution: 0.1 °C

- Sensor Type: NTC (10K/3435)

- Relay contact current: Max 10A (for 110V type controller), and 5A (for 220V controller)

- Operating temperature: 0 °C ~ 50 °C

## ④ Button Description:

1. RST: To turn the controller ON and OFF: To turn the controller ON press the RST key. To turn the controller OFF press and hold the RST key for 3 seconds.

2. SET:

A: To set the temperature (the set point): To set the temperature \*set point) press the SET key once and the controller will go to the "temperature setting" mode. By pressing  $\blacktriangle$  or  $\blacktriangledown$  keys you can adjust the temperature to your required set point. When the set point is adjusted you can exit the "temperature setting" mode by pressing the SET key again.

B: To set the controller parameters, press and hold the SET key for more than 3 seconds and the controller will go to the "parameter setting menu". By pressing  $\blacktriangle$  or  $\blacktriangledown$  keys you can select the required parameter from the menu. When the required parameter is found, press the SET key once and the controller will go to the required parameter setting mode. By pressing  $\blacktriangle$  or  $\blacktriangledown$  keys, you can adjust the parameter that you need. When the parameter is set, you can exit the "parameter setting mode" by pressing the RST key (or wait for about 5 seconds and the controller automatically exit this mode).

3.  $\blacktriangle$ : Increasing key 4.  $\blacktriangledown$ : Decreasing key

## ⑤ Operating Instructions:

### LED Status (light) (light display):

- When the red light beside the "Work" is ON it shows that the output (heating or cooling) is working.

- If the light beside the "Work" flashes, it shows that the controller is on delay.

- If the light beside the "Set" is ON, it shows that the controller is on setting mode.

### ◆ Parameters setting and definition:

Symbol	Details	Setting range	Factory settings
HC	Heating / cooling	H / C	C
d	Hysteresis or Differential Set Value(temperature band)	1 to 25	1
LS	Lower temperature setting	-50 ~ HS	-50 °C
HS	Higher temperature setting	LS ~ 110	110 °C
CA	Temperature Calibration	-9 To +9	0
PT	Delay Protection time	0 ~ 30	0 Minutes
AH	High temperature alarm setting	0 ~ 25	0
AL	Low temperature alarm setting	0 ~ 25	0
AT	Count Down Timer 0-999 Minute	0 ~ 999	0

### ◆ Cooling / Heating functions ("HC" parameter)::

- Cooling mode: When the measured temperature is equal or higher than the set point temperature (+ hysteresis), the relay turns the cooling source ON and when it is less than the set point temperature, the relay turns it OFF.

- Heating mode: When the current temperature is equal or lower than the set point temperature (- hysteresis), the relay turns the heating source ON and when it is higher than the set point temperature, the relay turns it OFF.

To set the controller on Heating or Cooling mode, press and hold the "SET" key for more than 3 seconds to enter the "parameter setting menu". Find the "HC" parameter by pressing ▲ or ▼ keys. Press the "SET" key when you find the "HC" and then by pressing "▲" or "▼" adjust it to "C" for cooling or to "H" for heating mode.

◆ **Hysteresis or Differential Set Value (Temperature Band) function ("d" parameter):**

To prevent the frequent ON/OFF action of the output a temperature band (called hysteresis or differential set value) is created between the ON and OFF operations. The controller will use a range (a maximum and minimum) for process control action, which is between 1°C to 25°C. For example when the hysteresis is set on 5 and the set point on 50°C, the output ON/OFF action would be when the temperature goes lower than 45°C and higher than 55°C. Press and hold the "SET" key for more than 3 seconds to enter the "parameter setting menu". Find the "d" parameter by pressing "▲" or "▼" keys. Press the "SET" key when you find "d" and then by pressing "▲" or "▼" adjust it to any number from 1 to 30.

◆ **Temperature calibration: setting ("CA" parameter):**

You can calibrate the temperature reading with this function. Correction value can be positive, negative or 0. .

Press and hold the "SET" key for more than 3 seconds to enter the "parameter setting menu". Find the "CA" parameter by pressing "▲" or "▼" keys. Press the "SET" key when you find "CA" and then by pressing "▲" or "▼" adjust this parameter.

◆ **Delay Protection ("PT" parameter):**

In the cooling mode, you can use this parameter to set the controller on the state of compressor boot delay protection. It prevents breaking the compressor as a result of frequent boot . It also protects the compressor in the state of power cut and then power on. You can define the delay time for starting of your cooling machine.

Press and hold the "SET" key for more than 3 seconds to enter the "parameter setting menu". Find the "PT" parameter by pressing "▲" or "▼" keys. Press the "SET" key when you find "PT" and then by pressing "▲" or "▼" adjust this parameter.

◆ **Higher and lower temperature functions ("HS" and "LS" parameters):**

By adjusting the higher and lower temperatures you will define the display range of your controller. Narrowing this range will add to the accuracy of the controller.

Press and hold the "SET" key for more than 3 seconds to enter the "parameter setting menu". Find the "HS" or "LS" parameters by pressing "▲" or "▼" keys. Press the "SET" key when you find "HS" or "LS" and then by pressing "▲" or "▼" adjust this parameter. Please note that your set point has to be always in between the HS and LS values.

◆ **High and low temperature Hysteresis alarm functions ("AH" and "AL" parameters):**

- If the temperature exceeds the higher alarm temperature "set point temperature + AH" the display will alternately flash between "H" and the current temperature. By pressing any key the display return to normal situation.

- If the temperature drops to lower than the lower alarm temperature "set point temperature - AL" the display will alternately flash between "L" and the current temperature. By pressing any key the display return to normal situation. Setting AL and AH parameters on zero will turn the alarm function off.

Press and hold the "SET" key for more than 3 seconds to enter the "parameter setting menu". Find the "AL" or "AH" parameters by pressing "▲" or "▼" keys. Press the "SET" key when you find "AL" or "AH" and then by pressing "▲" or "▼" adjust the temperature. "Set point temperature - AL" is for lower temperature alarm and "Set point temperature + AH" is for higher temperature alarm. Setting AL and AH parameters on zero will turn the alarm function off.

◆ **Time control function ("AT" parameter):**

When the AT parameter is 0 , it acts like usual temperature controller without countdown timer, but when you set AT to other numbers, when it reaches to setpoint, it starts the thermostatic controlling in a set period of time and the controller display shows current temperature and left time alternatively and when the time reaches to 0, the controller will turn the output off and controller display shows OFF and current temperature. For setting the minute of timer, Press and hold the "SET" key for more than 3 seconds to enter the "parameter setting menu". Find the "AT" parameter by pressing "▲" or "▼" keys. Press the "SET" key when you find "AT" and then by pressing "▲" or "▼" adjust this parameter. The time control function (AT) can be set between 0-999 minutes, depends on the required operation time.

⑥ **Error messages and troubleshooting:**

- 1) When the controller displays --- it shows that the sensor is disconnected. The controller will make beeping sound and the heating output relay will be closed (so the heater is off) .
- 2) When the controller displays LLL it shows that the measured temperature by sensor is lower than 0 °C.
- 3) When the controller displays HHH it shows that the measured temperature by sensor is higher than 300 °C.

⑦ **Caution :**

- ◆ The maximum current load of the heating or cooling source must not exceed the output relay contact capacity. It will damage the unit and may cause fire.
- ◆ Check the wiring diagram before wiring the unit. Wrong wiring will damage the controller and may cause fire.
- ◆ Applying extra force on the screws of controller terminals will break the base. Please tighten the screws gently.
- ◆ Turn the power supply off when you are wiring relays, sensors, ..Otherwise it will damage the unit and may cause fire.