

DIGITAL TEMPERATURE CONTROLLER

INSTRUCTION MANUAL

Please Carefully read all the instructions in this manual.
Please place this manual in a convenient location for easy reference.

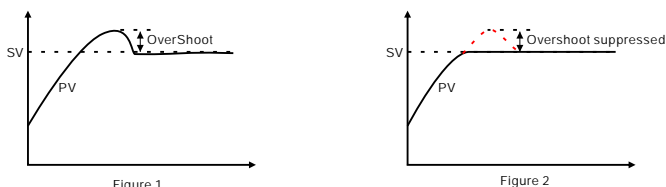
SPECIFICATION

Power Supply: 85~265VAC 50/60HZ, 24VDC or 24VAC available on request
 Input : Thermocouple(K,E,J,N,Wu3_Re25,S,T,R,B,) Pt100(Up to 800 C)
 Voltage and Current(0-5VDC,0-10VDC,0-50mV,4-20mV,0-20mA 2-10VDC, 1-5VDC, 4-20mA)
 Display: Dual line 4 digits LED display
 Output: RELAY/SSR DRIVE/4-20mA/0-5VDC/0-10VDC/1-5VDC(specify when order)
 Power consumption: 5VA maximum
 Control method: PID, ON/OFF(P=0), Time proportional control(I=0, D=0)
 Measuring accuracy: 0.2%F.S
 Decimal points for all input signals: 0.1 resolution for thermocouple. 0.1 resolution for RTD. 0.001 for analog input
 Modbus RTU RS-485 communication, SV/PV 4-20mA Re-transmission
 Output bar graphic indication(for analog output such as 4-20mA only)
 Controller can display based on Centigrade or Fahrenheit, switchable between each other.
 Alarm Standby function intergrated
 Power up overshoot suppression function intergrated.
 Analog output buffer function
 ON/OFF Control: Set P=0.0,it will be changed as on/off control. Check manual"6.1 parameter P". Position difference is HYS. when heating :PV > SV, OUT stop, when PV < SV-HYS, OUT start, fitting for OUT1. When Cooling:PV > SV+HYS, output start, when PV < SV,output stop.
 When analog signal output, can using output buffer function when in some special control position, which can make output more stable.
 Check manual (6.1 level 2 bUFF parameter, and 6.3 level 2 bEr parameter)

1. Unique Features

Power Up Overshoot Supression

The overshoot is common when controller just power up, and the PV is getting closer to SV, this controller offers a useful features for application where the overshoot should be tolerated



The figure 1 shows significant overshoot after PV reaches to SV, this is harmful to some of system, This controller offers a feature to suppress the overshoot

LED display and indicator built together on one PCB board



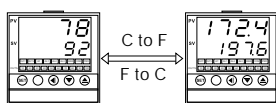
The LED display and LED indicators was built as one panel ,most of controller with their LED display and LED indicator installed separately, the chance of the malfunction is high. This controller with all the display and indicator units built together on board, makes it easier to install and easy to test with higher reliability.

PV/SV Re-transmission(Optional function)



The PV or SV value can be re-transmitted as analog signal 0-5VDC,0-10VDC,4-20mA, and the re-transmission signal can be feed to recorder ro digital display

C or F display selectable



This controller offers display based on Celcius and Fahrenheit. can the display is switchable between C and F.

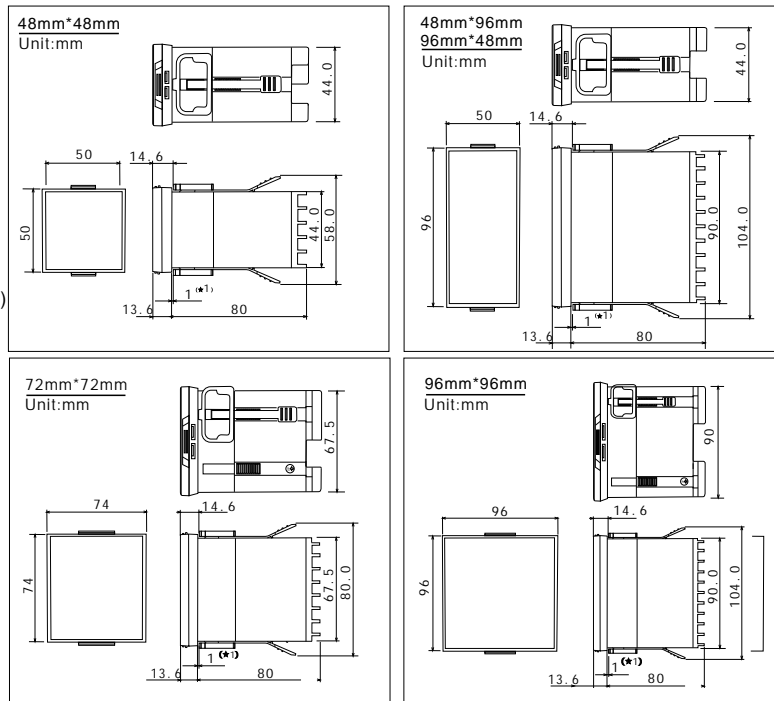
Decimal points for all input signals

The decimal points display is available for all input signals. For TC and RTD sensors, the resolution is 0.1, for analog signal, the resolution is 0.001.

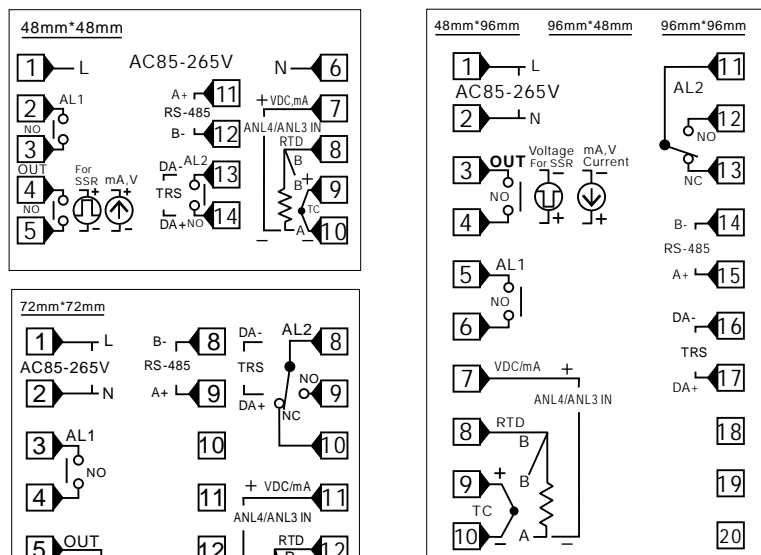
Output restriction for analog output

Controller offers a function when output is analog such as 4-20mA, to maintain a stable system, the output changing rate can be restrained in a certain range, for example, if the output changes from 4mA to 8mA in 1 seconds, then the changing rate is 4mA/S, the changing rate can be restrained within 5%,means in the next seconds, the output only changes between 4mA*(1-5%) to 4mA*(1+5%). which is 3.8mA to 4.2mA.

2. MOUNTING SIZE

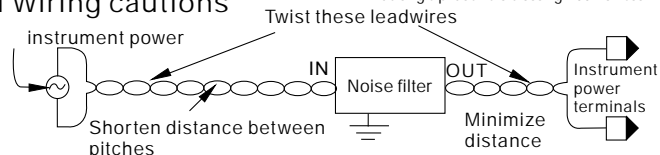


3. WIRING

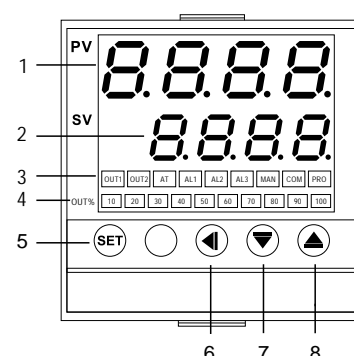


Alarm output rated:
 Relay contact output : 250V AC, 3A (Resistive load)
 Control output rated :
 Relay contact output: 250V AC,5A(Resistive load)
 Voltage pulse output: 0/12V DC or 0/24V DC (Load resistance 600 ohm or more)
 Current output: 4 to 20mA DC (Load resistance 500 ohm or less)
 Triac single phase zero crossing: 100A or less

3.1 Wiring cautions



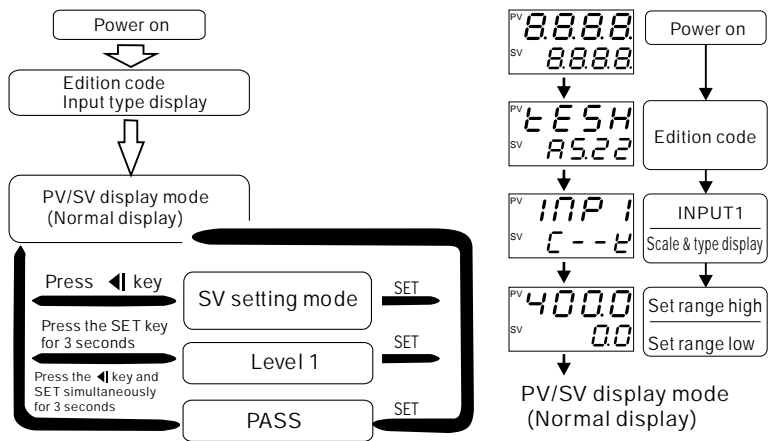
4. PANEL DESCRIPTION



- 1 Measured value (PV) display [RED]
- 2 Set value(SV)display [GREEN]
- 3 OUT1 lamp: Output indication
 OUT2 lamp: Remark lamp
 AT lamp: Autotuning indication
 AL1 lamp: Alarm 1 output indication
 AL2 lamp: Alarm 2 output indication
 AL3 lamp: Remark lamp
 MAN lamp: Remark lamp
 COM lamp: Comm unication indication
 PRG lamp: Remark lamp
- 4 LED bar: Output1 % value indication
- 5 SET key: Used for parameter calling up and set value registration
- 6 Shift key and setting SV key
- 7 Down key, decrease numbers
- 8 Up key ,increase numbers

5. SETTING

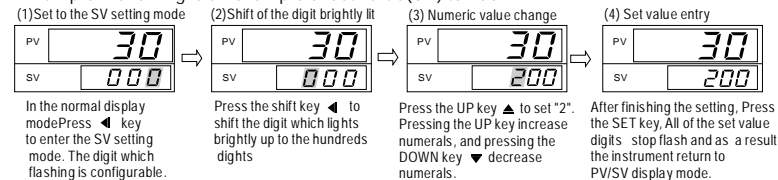
5.1 Basic operation flow charts



Display	E	J	N	S	T	R	B	AN4	AN3	AN2	AN1	PL	
Input	K	E	J	N	Wu3_Re25	S	T	R	B	2-10VDC 1-5VDC 4-20mA	0-10VDC 0-5VDC 0-20mA	0-50mV 0-20mV	Pt100
Range	1300 °C	600 °C	800 °C	1300 °C	2000 °C	1600 °C	400 °C	1700 °C	1800 °C				800 °C

5.2 Setting set value(SV)

Example: Following is an example of set value(SV) to 200



5.3 Setting parameters other than set value (SV)

The setting procedures are the same as those of example (2) to (4) in the above "Setting set value (SV)". Press the SET key after the setting end shifts to the next parameter. When no parameter setting is required, return the instrument to the PV/SV display mode.

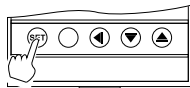
6. LEVEL

*In any time you can press SET key for 3 seconds to save value and exit level to PV/SV mode.

6.1 Level 1

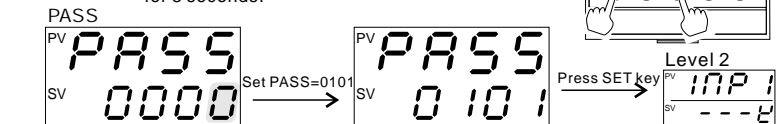
Press the SET key for 3 seconds to level 1 :

The following parameter symbols are displayed one by one every time the SET key is pressed. After the value be registered, when no parameter setting is required, Press the SET key for 3 s to return the instrument to the normal display.



Symbol	Name	Range	1#	Description
AT	Autotuning	NO or YES	NO	YES: Autotuning on, NO: Autotuning off
AL1	Alarm 1	-1999 to 9999	10	Set the alarm value for alarm 1. Alarm differential gap=AH1
AL2	Alarm 2	-1999 to 9999	10	Set the alarm value for alarm 2. Alarm differential gap=AH2
SC	PV bias	-199 to 199	0.0	Sensor correction is made by adding bias value to measured value(PV).
P	Proportional band	0.0 to 200.0	30.0	Proportional band in PID with unit % for OUT1 P=0.0, ON/OFF control
HYS	Control Hysteresis	0 to 999	1.0	Control out differential gap=HYS Only for ON/OFF action when P=0.0
I	Integral time	0 to 3600 s	240	Set the time of integral action to eliminate the offset occurring in proportional control.
d	Derivative time	0 to 3600 s	60	Set the time of derivative action to improve control stability by preparing for output changes.
CYC	Proportioning Cycle	0 to 999 s	20	Proportioning cycle time for PID control
rE	Overshoot protection	0.0 to 100.0	5.0	Overshoot protection for first power on or SV modify later. (Auto setting after autotuning)
rSt	Proportional reset	-199 to 200	0.0	Proportional reset for overshoot protection (Auto setting after autotuning)
QPL	Output limit (Low)	0.0 to 100.0%	0.0	Output manipulated variable lowest limit
QPH	Output limit (High)	0.0 to 100.0%	100.0	Output manipulated variable highest limit
buff	Output buffer	0.0 to 100%	100.0	Output variance value. percentage per second buffer limit. Only for 4-20mA output
LCK	Set data lock	0-2	0	LCK=0: Allow to modify any parameter and SV LCK=1: Only allow to modify SV and AT LCK=2: Not allow to modify any parameter and SV

6.2 PASS



6.3 Level 2

Press the left arrow key while pressing the SET key for 3 s to PASS, set PASS=0101, then press SET key to Level 2

The following parameter symbols are displayed one by one every time the SET key is pressed. After the value be registered, when no parameter setting is required, Press the SET key for 3 s to return the instrument to the normal display.

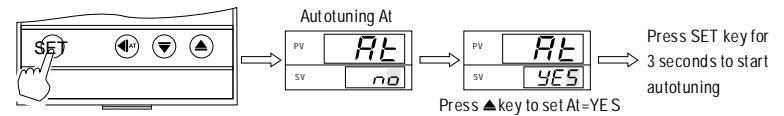
Symbol	Name	Range	1#	Description
INP1	Main input type select	Setting: E E J N S T R B Input: K E J N Wu3_Re25 S T R B Range: 1300 °C 600 °C 800 °C 1300 °C 2000 °C 1600 °C 400 °C 1700 °C 1800 °C		
dP	Decimal point	0 to 3	0	0, 1 for TC or RTD or analog type 2, 3 Only for Linear analog type input
LSPL	Low setting	-1999 to 9999	0	SV lower limit value Lower point of transmission
USPL	High setting	-1999 to 9999	0	SV higher limit value Higher point of transmission
UNIT	Display scale	C, F or A	C	C: Centigrade, F: Fahrenheit R: without scale
PVFL	PV follow-up PV input filter	0 to 60	55	PV variable-value control, 0-30: for general, 31-60: for enhanced
ANL1	Lower limit for PV display	-199-9999	0	Lowest value display when linear analog inputs, Such as 4-20mA input.
ANH1	Higher limit for PV display	-1999-9999	2000	Highest value display when linear analog inputs, Such as 4-20mA input.
ALD1	Alarm1 mode	00 to 16	11	Select the type of alarm 1, See(**ALARM TYPE TABLE)
AL1	Alarm1 differential gap	0.0 to 100.0	1.0	Alarm1 differential gap setting
ALD2	Alarm2 mode	00 to 16	10	Select the type of alarm 2, See(**ALARM TYPE TABLE)
AL2	Alarm2 differential gap	0.0 to 100.0	1.0	Alarm2 differential gap setting
OUd	Control action	HEAT or COOL	HEAT	HEAT: Reverse action (Heating) COOL: Direct action (Cooling)
BEr	Buffer mode for out1 analog output	0, 1, 2	0	0: No buffer for analog output 1 1: Always with buffer for analog output 1 2: With buffer when the output 1 increases only. (Soft-start) Output variance value. percentage per second. buffer limit according BUFF in Level1
ADNO	Device address setting	0-127	1	Communication device address setting.
BAUD	Band-rate setting		9.6	BAUD=2.4K, 4.8K, 9.6K, 19.2K

**ALARM TYPE TABLE (ALD=00-16)
 10: No alarm output
 11: Deviation high alarm
 12: Deviation low alarm
 13: Deviation high/low alarm
 14: Deviation band alarm
 15: Process high alarm
 16: Process low alarm
 00: No alarm output
 01: Deviation high alarm with hold action
 02: Deviation low alarm with hold action
 03: Deviation high/low alarm with hold action
 04: Deviation band alarm with hold action
 05: Process high alarm with hold action
 06: Process low alarm with hold action

NOTE: With hold action, When Hold action is ON, the alarm action is suppressed at start-up until the measured value enters the non-alarm range.

7. AUTOTUNING

Auto-tuning shall be performed right after the power feed to controller when PV is far away from SV.



- When begin to autotuning, AT light flash, which means to begin to autotuning, if you want to exit from autotuning, please enter into the AT menu, set AT=no
- In the middle of the autotuning, it is ON/OFF control, according to the different systems, temperature may have a big variance and the autotuning time is of a long short.
- After finishing autotuning, AT light stops flashing, controller will automatically save P, I, d, rE, rSt parameters, then automatic return to the normal control state, controller will continue to run with new P, I, d, rE, rSt parameters value.

8. INPUT RANGE TABLE

Input type	Code
K	0 to 400 °C K: A4 0 to 600 °C K: A6 0 to 1300 °C K: B3
E	0 to 200 °C E: A2 0 to 400 °C E: A4 0 to 600 °C E: A6
J	0 to 400 °C J: A4 0 to 600 °C J: A6 0 to 800 °C J: A8
T	0 to 200 °C T: A2 0 to 300 °C T: A3 0 to 400 °C T: A4
S	0 to 1600 °C S: B6
R	0 to 1700 °C R: B7
B	200 to 1800 °C B: B8
N	0 to 1300 °C N: B3
Wu3_Re25	600 to 2000 °C W: B0

Input type	Code
Pt100	0 to 400 °C D: A4 0 to 600 °C D: A6 0 to 800 °C D: A8 -100 to +200 °C D: C2 -200 to +800 °C D: C8 -100.0 to +200.0 °C D: F2 -50.0 to +200.0 °C D: G2

Input type	Code
0 to 20mV	V: 01
0 to 50mV	V: 02
0 to 5VDC	V: 03
0 to 10VDC	V: 04
1 to 5VDC	V: 08
2 to 10VDC	V: 09
4 to 20mA	A: 03
0 to 20mA	A: 02

Note: Clients can set TC, RTD by keyboard, please set the input type coincide with the sensor. Check details of the manual "6.3" parameter INP1. If need analog signal inputs, please specified when order. (Except 0-20mV or 0-50mV input)